

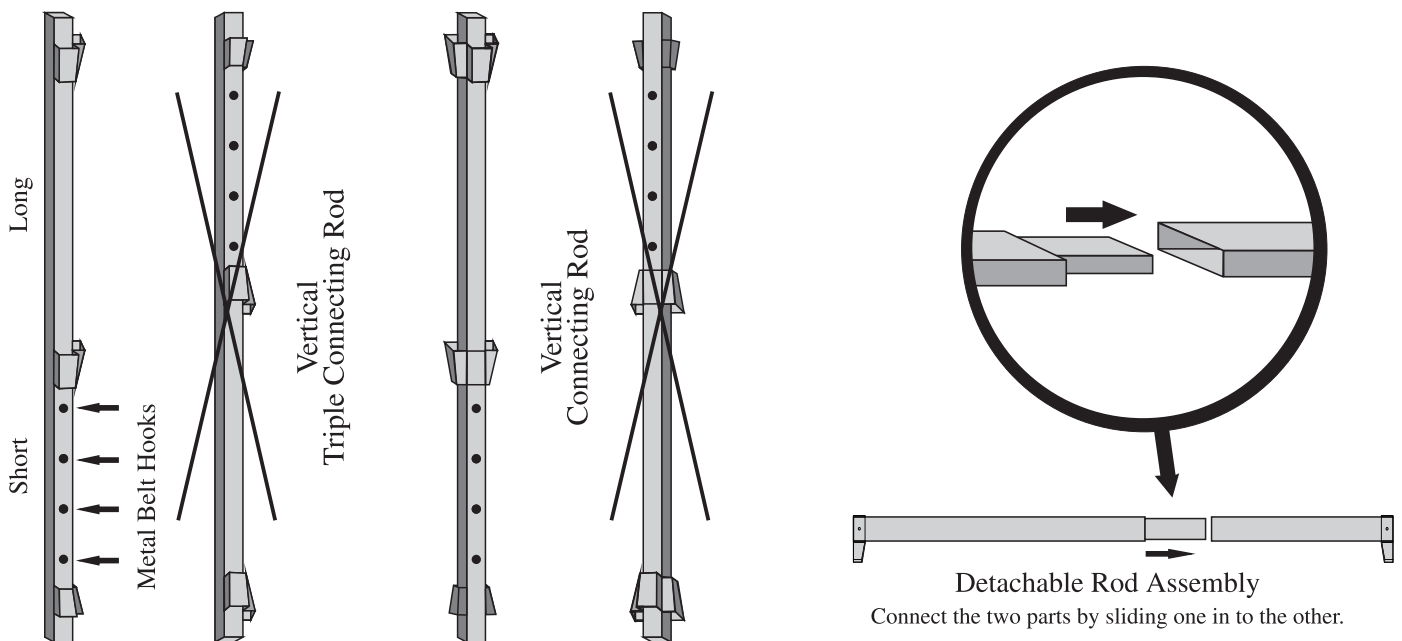
Sukkah

10'x18', 12'x20'

Sukkah size	Box A Vertical rods	Box B
10X18FT	4 columns+ 3 central columns+ 2 connecting rods	Seventeen 6.6-foot crossbars+ twelve 6-foot crossbars+ two 10 foot connecting rods
12X20FT		Seventeen 6-foot crossbars+ twelve 5-foot crossbars+ two 6 foot connecting rods

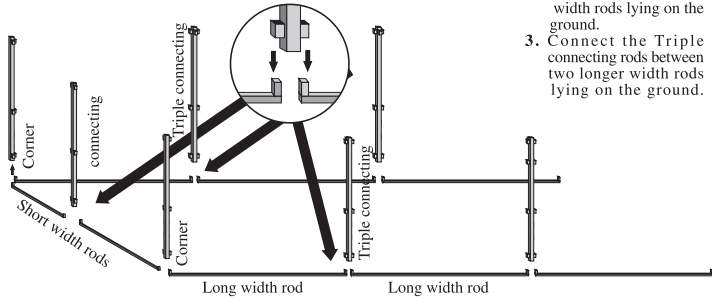
Step 1: Assembly of the Sukkah frame

Every vertical rod is divided into two unequal parts, long and short. Make sure when attaching the vertical rod that the shorter part is at the bottom.



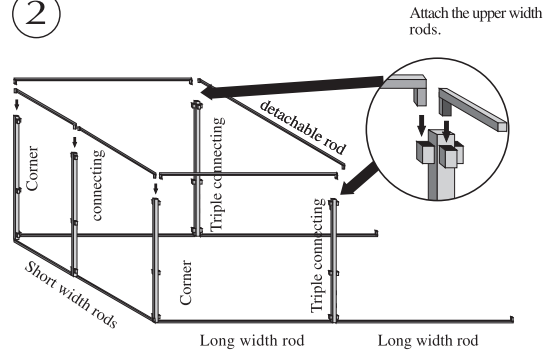
Assembly instructions

1



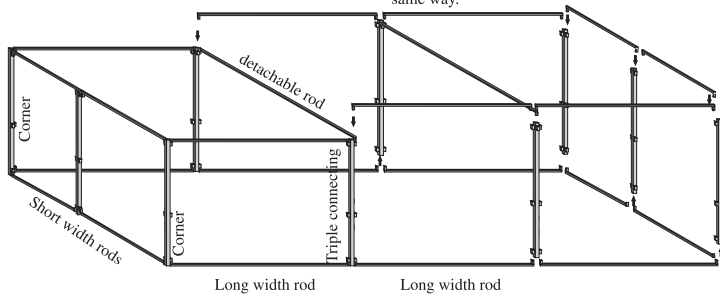
1. Connect any corner first.
2. Connect the connecting rods between two shorter width rods lying on the ground.
3. Connect the Triple connecting rods between two longer width rods lying on the ground.

2



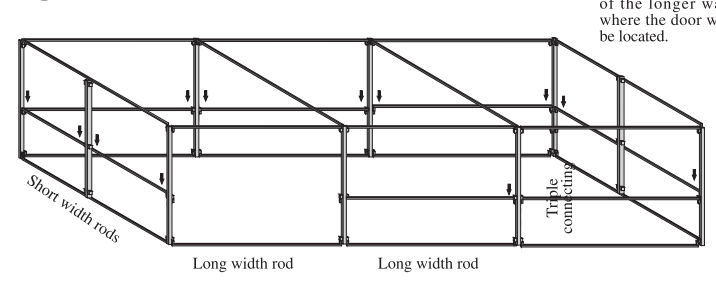
Attach the upper width rods.

3



Continue to attach all the Sukkah rods in the same way.

4

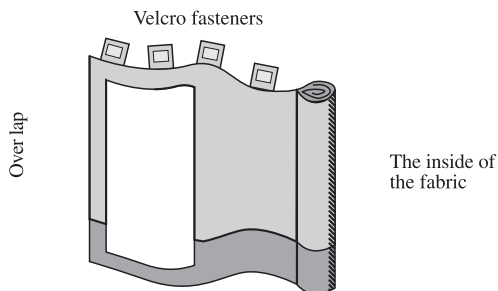


Connect the middle width rods on three sides. Do not attach a width rod in the middle of the longer wall where the door will be located.

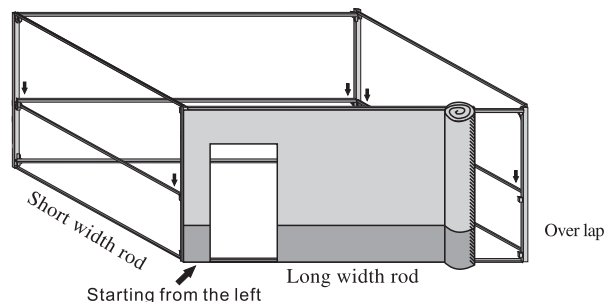
Step 2: Attaching the fabric

1. Find the door wall (tips: the door wall is always on the longest wall), attaching the fabric from left to right.
2. Paste the velcro at the top of the side wall onto the crossbar at the top of the frame.
3. Fasten the side wall on the upright column by using the Velcro.
4. Fasten the velcro on the middle crossbar:
5. Fasten the bottom side wall onto the crossbar:

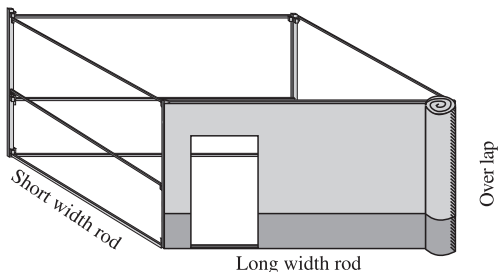
1



2



3



4

