

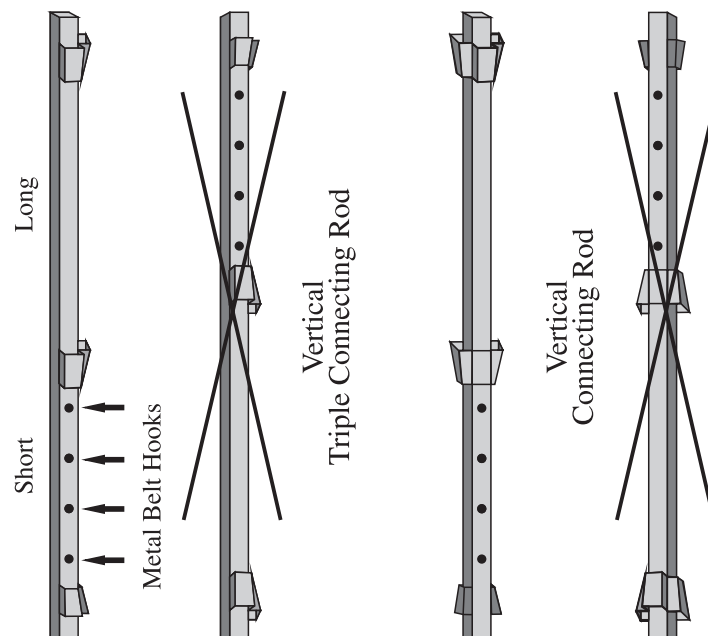
Sukkah

4'x4', 4'x6', 4'x8', 5'x8', 8'x8'

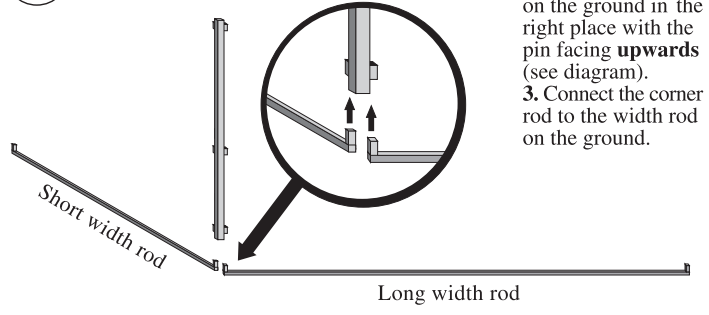
Sukkah size	Box A Vertical rods	Box B
4X4FT	4 columns	Eleven 4-foot crossbars
4X6FT		Six 4-foot crossbars+ five 6-foot crossbars
4X8FT		Six 4-foot crossbars+ five 8-foot crossbars
5X8FT		Six 5-foot crossbars+ five 8-foot crossbars
8X8FT		Eleven 8-foot crossbars

Step 1: Assembly of the Sukkah frame

Every vertical rod is divided into two unequal parts, long and short. Make sure when attaching the vertical rod that the shorter part is at the bottom.

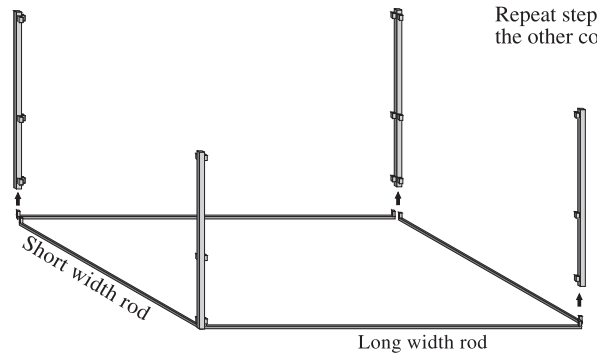


1



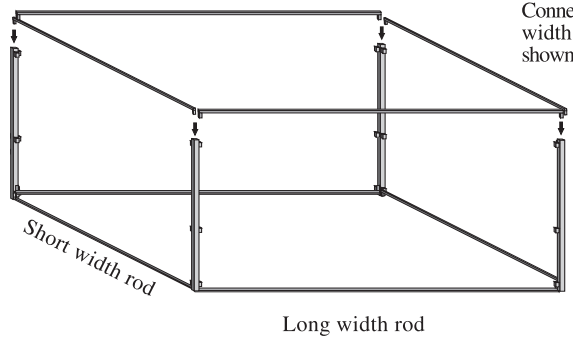
1. Start assembly at the corner.
 2. Place the width rods on the ground in the right place with the pin facing **upwards** (see diagram).
 3. Connect the corner rod to the width rod on the ground.

2



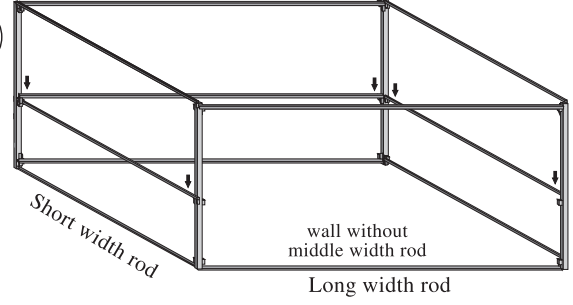
Repeat step 1 for the other corners.

3



Connect the upper width rods, as shown in diagram.

4

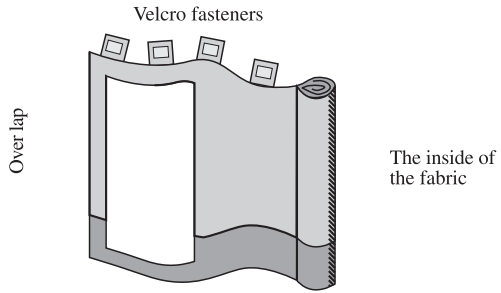


Connect the middle width rods on three sides. Do not attach a width rod in the middle of the longer wall where the door will be located.

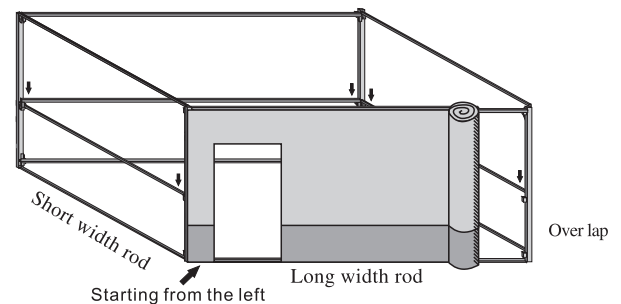
Step 2: Attaching the fabric

1. Find the door wall (tips: the door wall is always on the longest wall), attaching the fabric from left to right.
2. Paste the velcro at the top of the side wall onto the crossbar at the top of the frame.
3. Fasten the side wall on the upright column by using the Velcro.
4. Fasten the velcro on the middle crossbar:
5. Fasten the bottom side wall onto the crossbar:

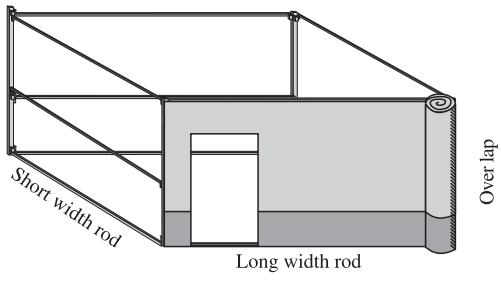
1



2



3



4

